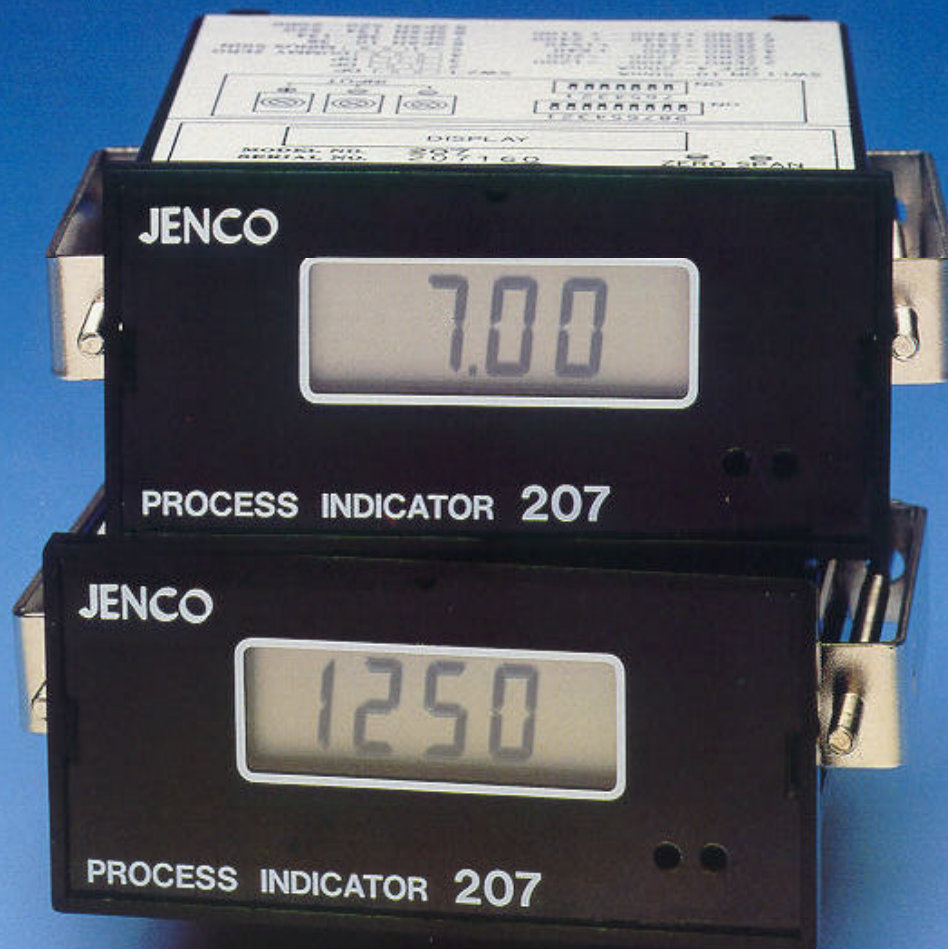


UNIVERSAL LOOP POWERED PROCESS INDICATOR MODEL 207

FEATURES

- Scalable ZERO and SPAN for different engineering units
- Programmable decimal point
- Programmable polarity
- All solid state design for increased reliability
- DIP switch selectable 4-20 mA/10-50 mA inputs
- Greater than 100 db 50/60 Hz noise rejection
- Programmable dummy zero
- Large LCD display
- Compact 1/8 DIN case



SPECIFICATIONS

Input current ranges

(Internal DIP switch selectable)

4-20mA

10-50mA

Accuracy

0.1% of span ± 1 LSD

Display range and resolution

(Internal DIP switch selectable)

Range	Resolution
0-1000	1
0-100.0X	0.1
0-10.00X	0.01
0-1.000X	0.001

X is the DIP switch selectable dummy zero

Zero adjust

(Internal DIP switch selectable in six steps)

-2300 to +3100 counts

Span adjust

(Internal DIP switch selectable in four steps)

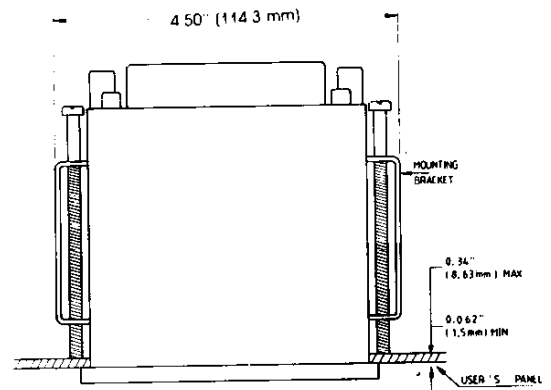
10 to 2000 counts

Maximum voltage drop

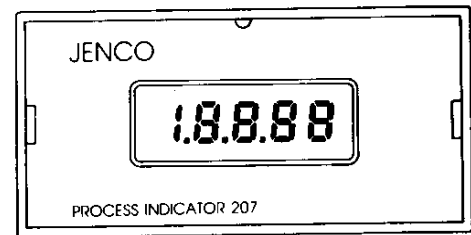
3.7 volts

General

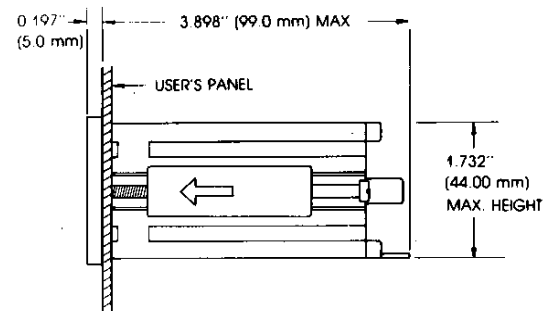
Decimal point	Internal DIP switch selectable
Polarity	Internal DIP switch selectable
Dummy zero	Internal DIP switch selectable
Readout	0.5" high LCD display
Operating temperature	0 to 50°C
Dimensions	96 mm x 48 mm x 104 mm
	1/8 DIN case
Weight	0.15 kg



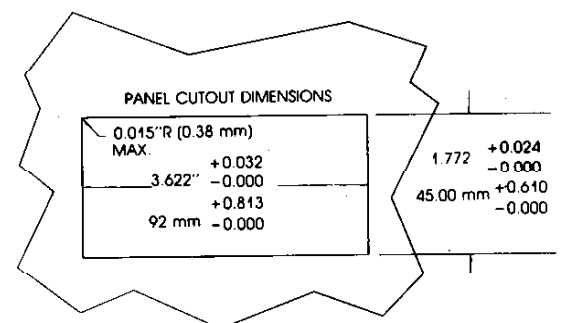
(TOP VIEW)



(FRONT VIEW)



(SIDE VIEW)



(PANEL CUTOUT)

JENCO INSTRUMENTS, INC.

SERVONICS
INSTRUMENTATION

Sales & Service

Call

1-800-932-2548

<http://www.servonics.com>

CAT 90, 5, 2000