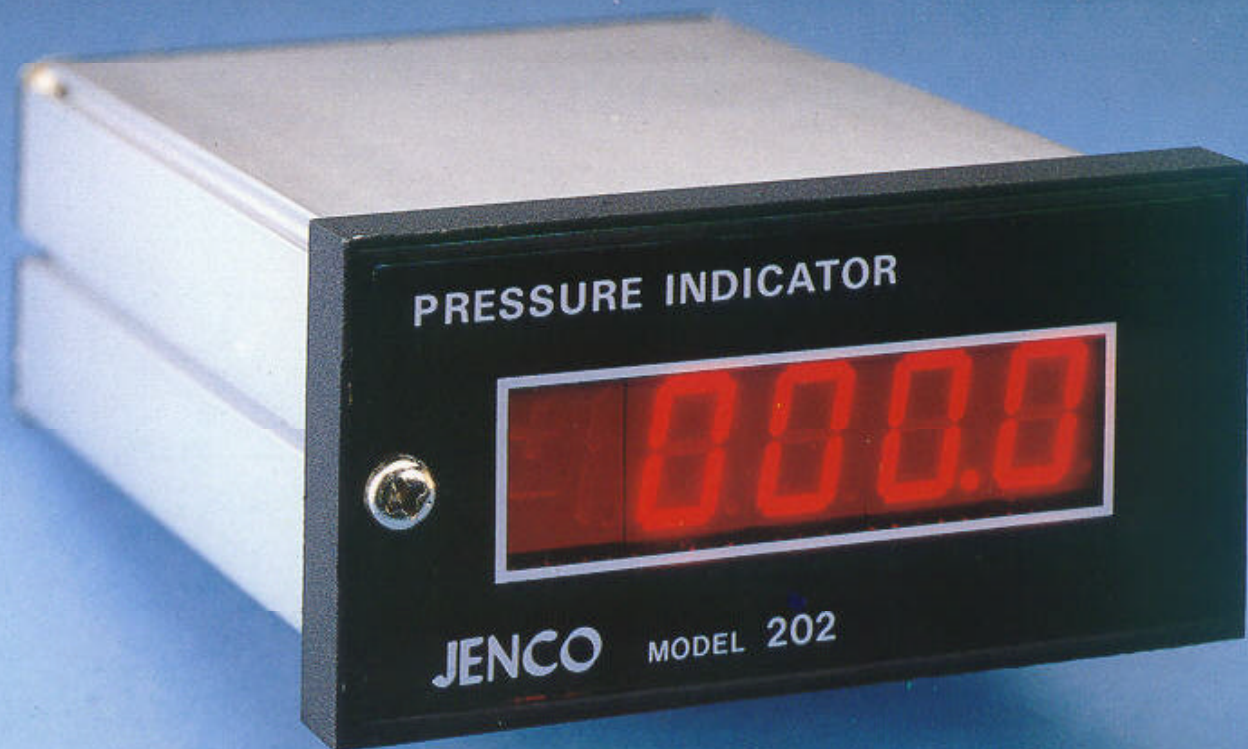


UNIVERSAL INDICATOR FOR VOLTAGE AND CURRENT OUTPUT PRESSURE TRANSDUCER MODEL 202

FEATURES

- All solid state design
- Low power consumption design, reduced internal heating thus increased reliability
- Multi-range indications with internal DIP switch
- Monitors various amplified voltage and current transducer outputs
- Fully scalable display for different full scale values
- Easy to install
- Dual excitation voltage for use with different make of voltage and current output transducers
- Switchable dummy zero for instrument to display pressure in metric and imperial units
- Greater than 100 dB 50/60Hz rejection
- Analog output
- 1/8 DIN standard cases
- Heat cycled 100 hours before shipment



SPECIFICATION

Range Resolution

(internal DIP switch selectable)

0-1000.X	1
0-100.0X	0.1
0-10.00X	0.01

X is selectable dummy zero

Accuracy

Accuracy $\pm 0.1\% \pm 1$ digit
(transducer error not included)

Voltage and current input ranges

(internal DIP switch selectable)

Voltage	Current
0-5 VDC	4-20mA
1-6 VDC	
0-10 VDC	
1-11 VDC	
0.5-5.5 VDC	

Internal span adjust for max. transducer output

(internal DIP switch selectable)

Range
10-800
600-1400
1200-2200

Internal zero adjust

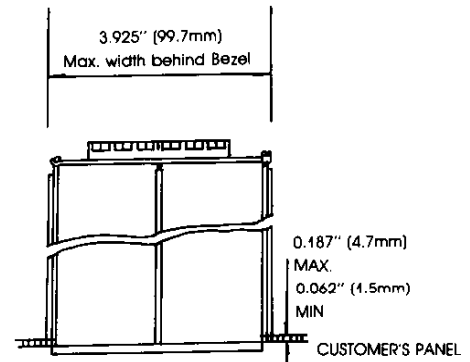
Voltage	$\pm 20\%$ of span
Current	-10% to +25% of span

Excitation voltage

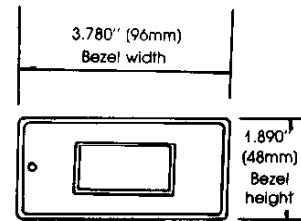
Dual excitation voltage	
Output	12VDC, 24VDC

General

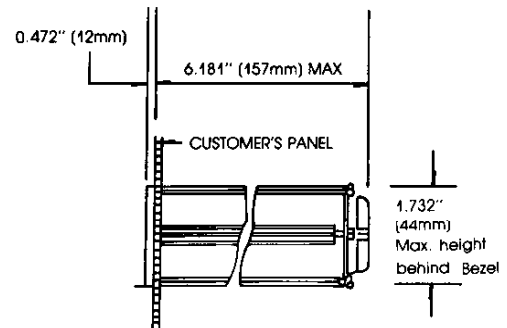
Analog output	1 mV/LSD (full scale 1999mV)
Display	0.56" high super efficient LED
Operating temperature	0 to 50°C
Operating humidity	0 to 90%
Power source	115VAC, 230VAC, $\pm 15\%$ 50/60Hz
Dimension	96mm x 48mm x 157mm
Weight	0.62 Kgs



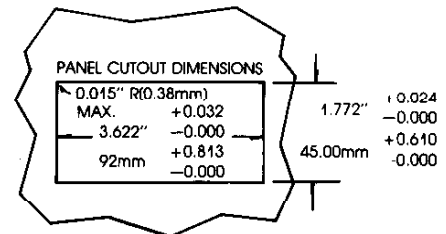
(TOP VIEW)



(FRONT VIEW)



(SIDE VIEW)



(PANEL CUTOUT)