

# UNIVERSAL CURRENT/VOLTAGE PROCESS INDICATOR/CONTROLLER WITH DUAL OUTPUT EXCITATION VOLTAGE MODELS 203/3201

## FEATURES

- Dual excitation voltage
- Greater than 100 db 50/60 Hz noise rejection
- Programmable dummy zero
- Analog output
- All solid state design for increased reliability
- Programmable relay output format (3201 only)
- 1/8 DIN all aluminum case
- Fully scalable ZERO and SPAN for different engineering units
- Programmable decimal point
- Programmable polarity
- Large bright LED display
- Heat cycled for 100 hours before shipment
- Programmable up/down scale for input open circuit (3201 only)
- 115 VAC, 230 VAC operations



## SPECIFICATIONS

### Input current and voltage ranges

(Internal DIP switch selectable)

Current(mA)	Voltage (VDC)
1-5	1-5
4-20	0-5*
10-50	0-10*
0-20*	1-10*
	1-11*

\* For these non-standard inputs, the ZERO and SPAN adjust ranges will be altered.

### Accuracy

0.1% of span  $\pm$  1 LSD

### Display range and resolution

(Internal DIP switch selectable)

Range	Resolution
0-1000.X	1
0-100.0X	0.1
0-10.00X	0.01
0-1.000X	0.001

X is the DIP switch selectable dummy zero

### Zero adjust

(Internal DIP switch selectable in six steps)

-2000 to +2000 counts

### Span adjust

(Internal DIP switch selectable in four steps)

10 to 2000 counts

### Excitation voltage outputs

Voltage (VDC)	Current (mA)
12	40
24	40

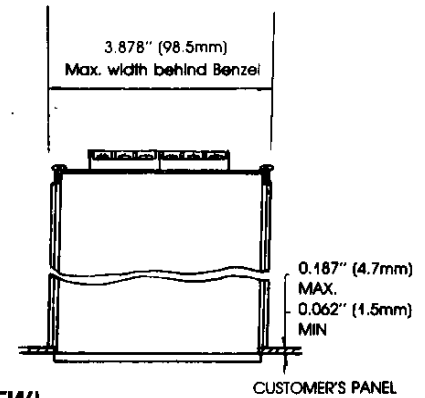
### Controller output (3201 only)

Range	Over SPAN
Control action	ON/OFF with front panel DEAD BAND adjust
DEAD BAND adjust range	0.1% to 10% of SPAN
Output relay	8A at 115VAC, 4A at 230VAC resistive load
Relay format	High/Low selectable
Input open circuit protection	Up/Down scale selectable

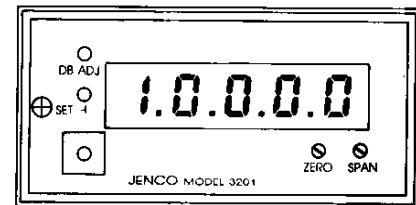
### General

Decimal point	Internal DIP switch selectable
Polarity	Internal DIP switch selectable
Dummy zero	Internal DIP switch selectable
Readout	0.56" high super efficient LED
Operating temperature	0 to 50°C
Power source	115VAC, 230VAC $\pm$ 15%, 50/60 Hz
Dimensions	96 mm x 48 mm x 170 mm
	1/8 DIN aluminum case
Weight	
203	0.65kg
3201	0.68kg

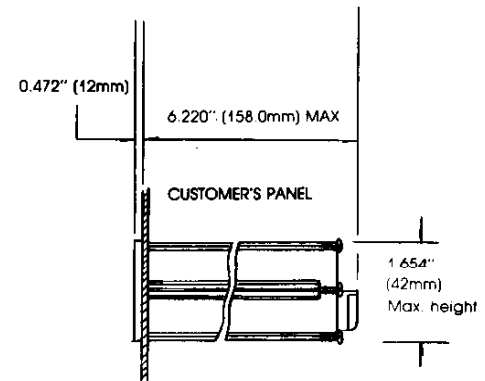
0 to 100 mV Input, 5 VDC excitation voltage models available on request.



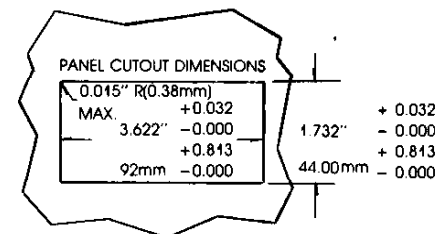
(TOP VIEW)



(FRONT VIEW)



(SIDE VIEW)



(PANEL CUTOUT)